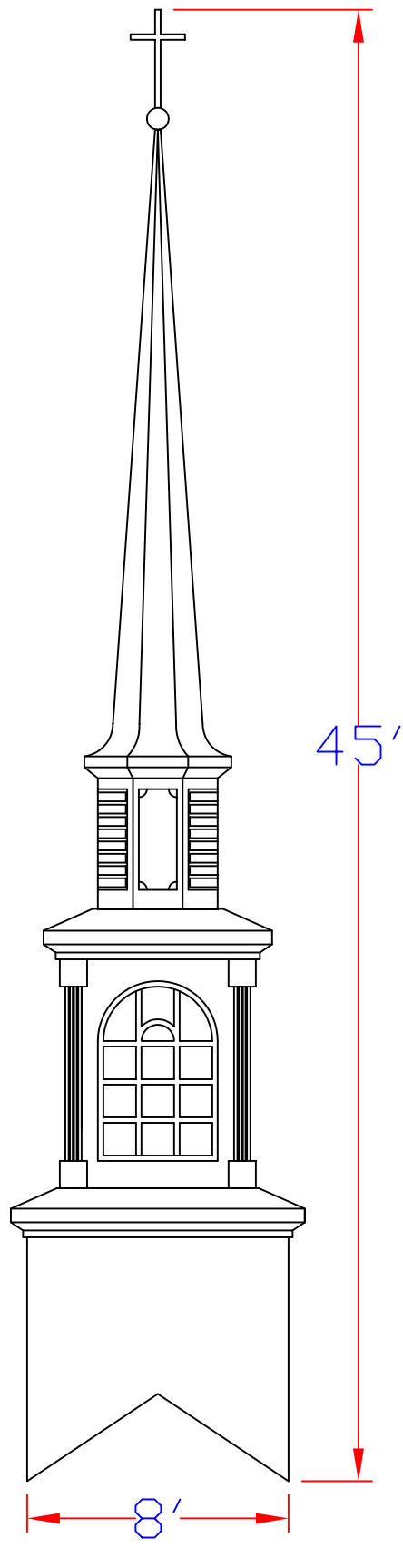


Model 6-8

Height : 45'
 Width : 8'
 Weight : 3000#

Base Panels :
 All Standard
 All Premium

Standard Features :
 8 - Fluted Pilasters
 Steel Base Frame
 4 Cupola Windows



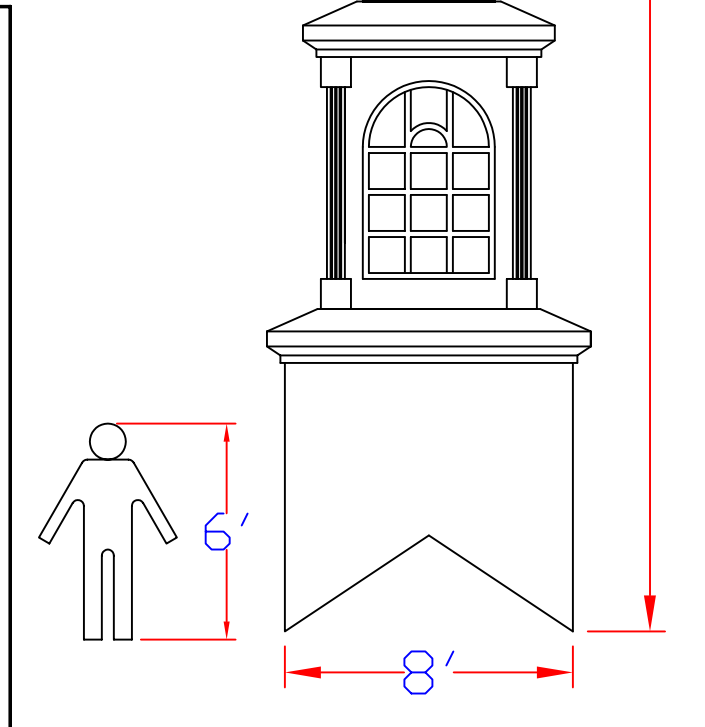
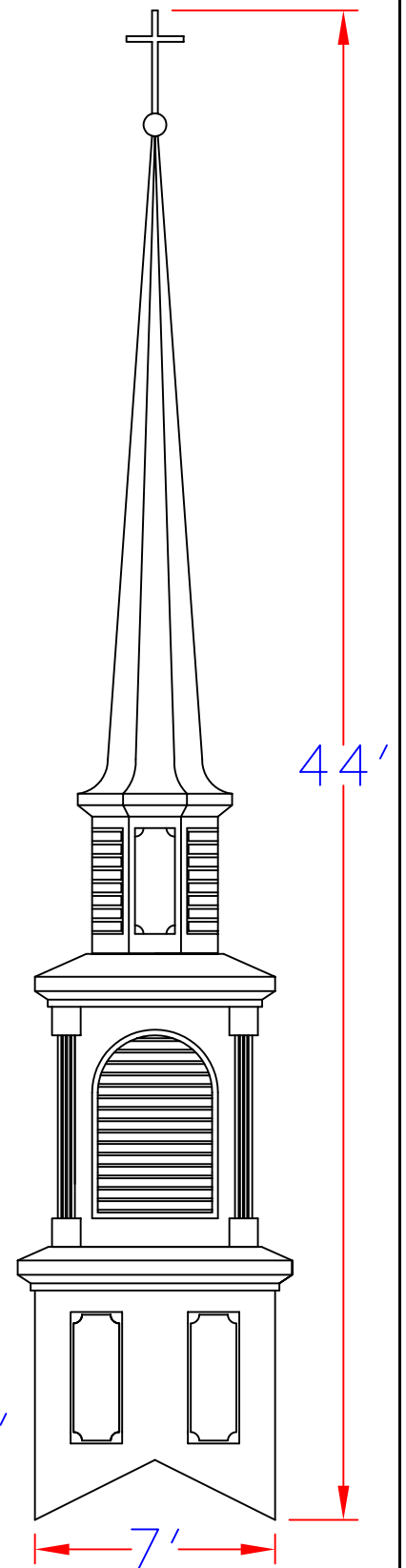
Model 6-L

Height : 45'
 Width : 7'
 Weight : 2,750#

Cupola Options :
 Vented Louvers

Base Panels :
 All Standard
 All Premium

Standard Features :
 8 - Fluted Pilasters
 Steel Base Frame
 4-Cupola Louvers

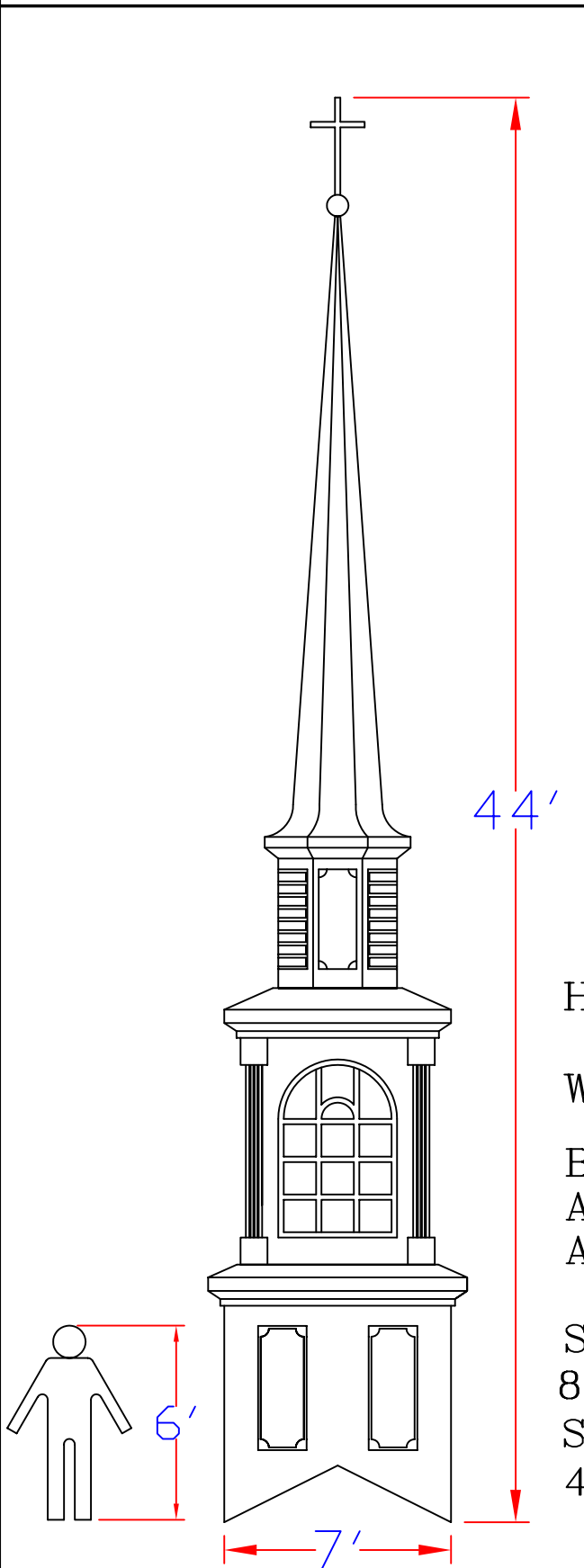


Model - 6

Height : 45'
 Width : 7'
 Weight : 2,750#

Base Panels :
 All Standard
 All Premium

Standard Features :
 8 - Fluted Pilasters
 Steel Base Frame
 4 Cupola Windows



* Base shown with optional Premium Panels

* Base shown with optional Premium Panels